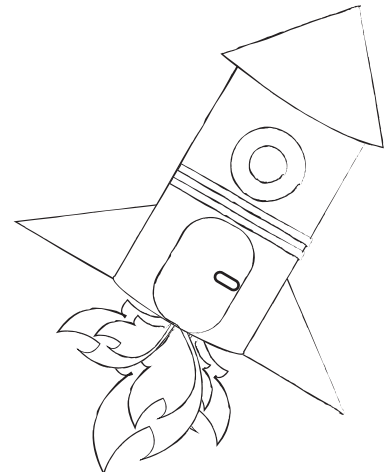
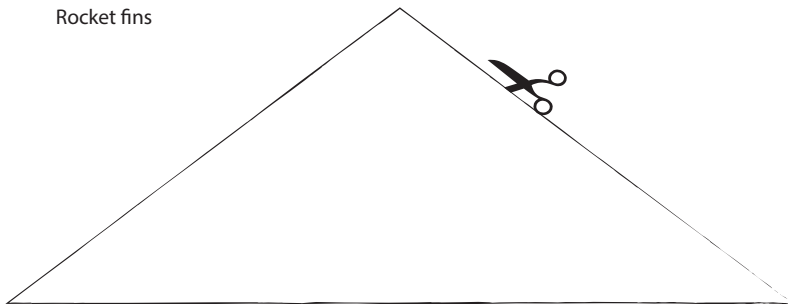
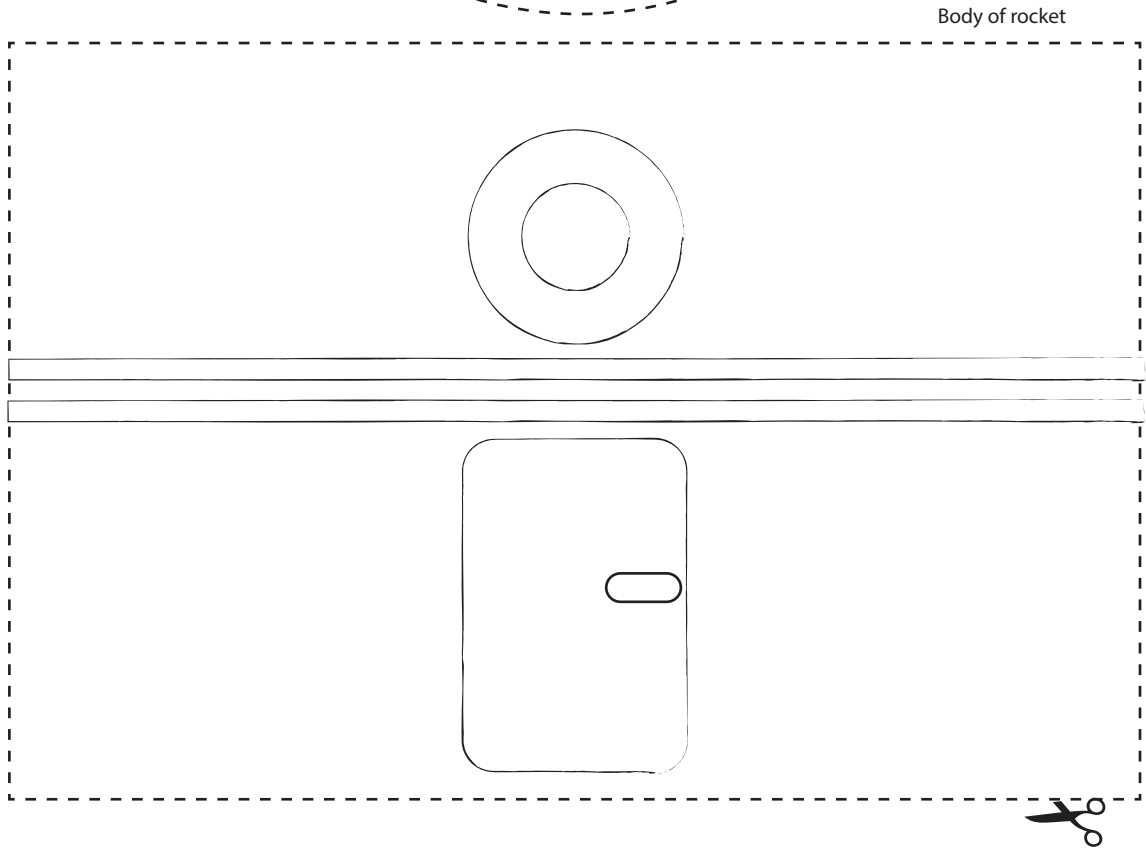
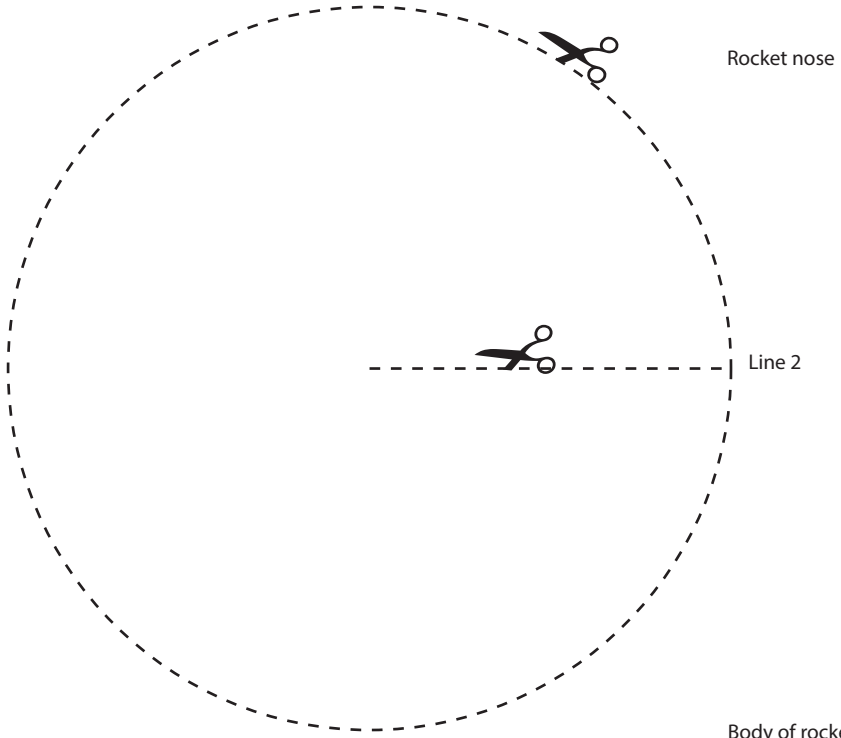


ROCKET!

# BLAST OFF!!

BE A FUN MUM.

1. Colour and decorate your rocket pieces.
2. Cut carefully along marked lines.
3. Glue rocket body around cardboard toilet roll.
4. Glue rocket fins to small piece cardboard and trim to fit.
5. Cut two small slits either side of the toilet roll/rocket body to allow fins to slide into place.
6. Glue rocket nose cone to small piece of cardboard and trim to size. Carefully cut along line 2 and curve the piece into a cone shape to create rocket nose.
7. Tape the nose cone in place and enjoy your rocket!



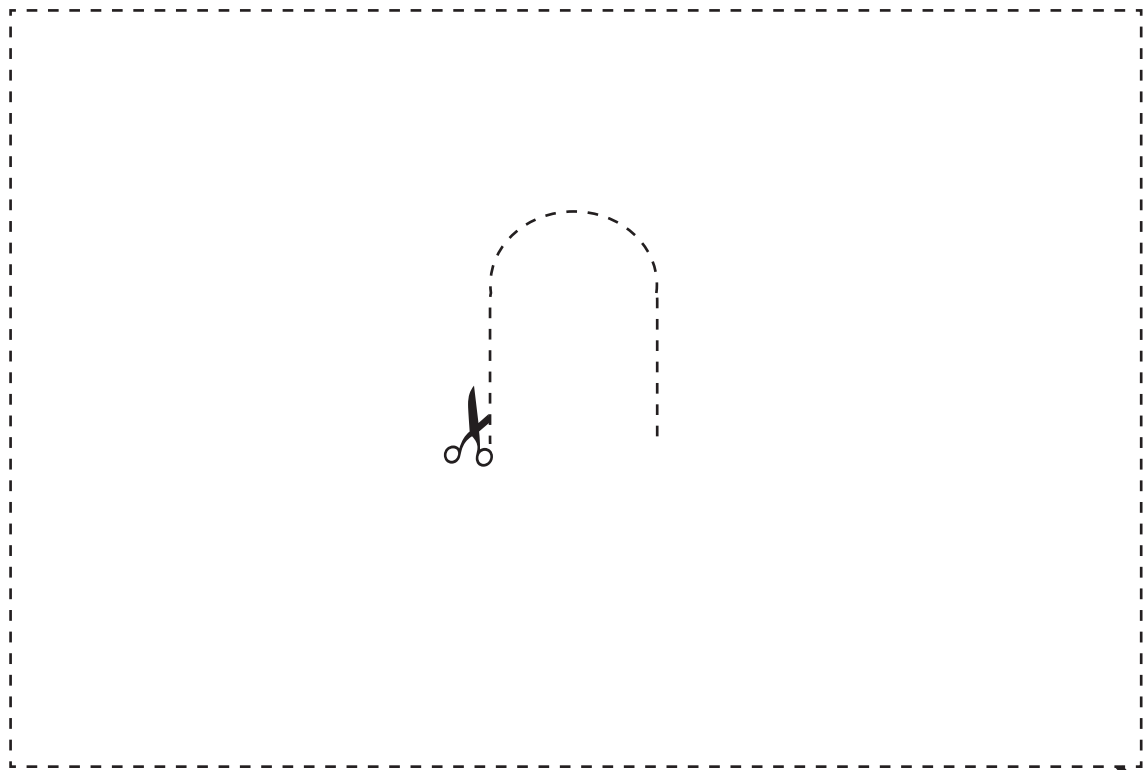
SHUTTLE!

# BLAST OFF!!

BE A  
FUN MUM.

1. Colour and decorate your shuttle pieces.
2. Cut out Piece 1 and carefully wrap around a toilet roll. Glue in place.
3. Cut the marked window line in the middle of the roll, folding the piece inwards to create a seat.
4. Glue Piece 2 onto a piece of cardboard.
5. Glue the toilet roll in the centre of Piece 2, and enjoy your shuttle!

Piece 1



Piece 2

